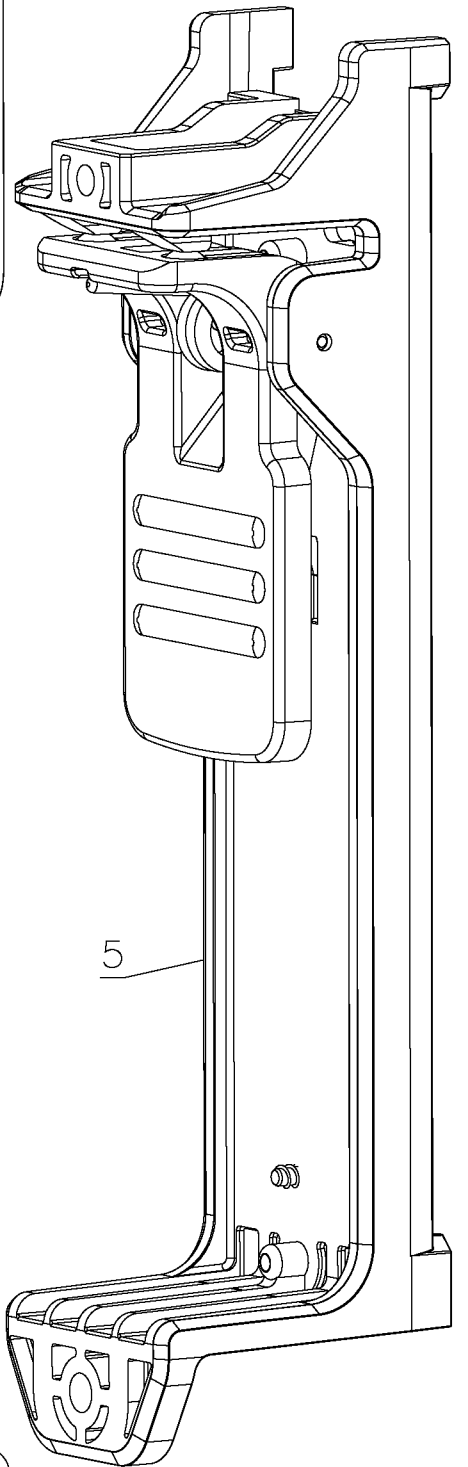
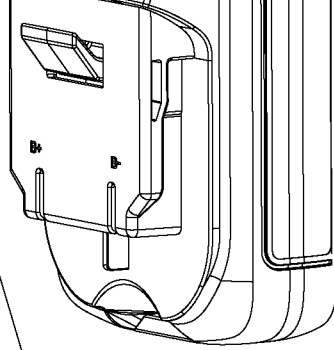
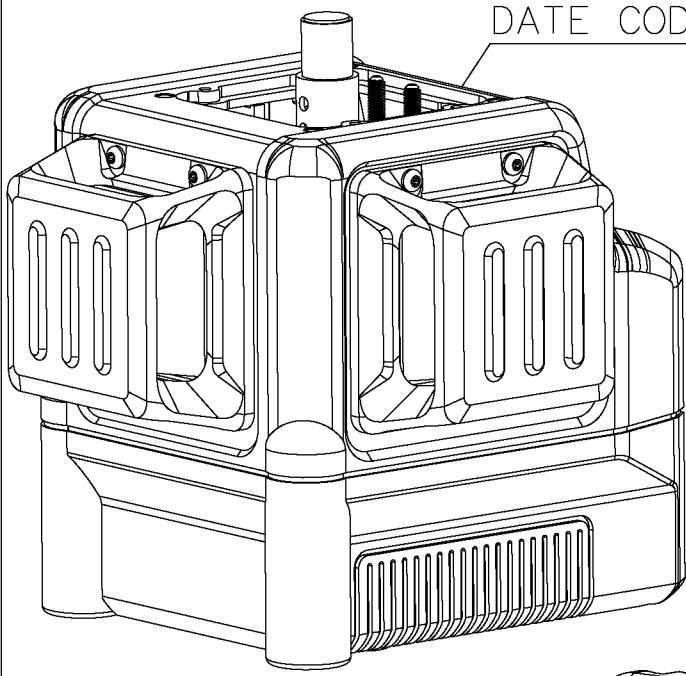


2

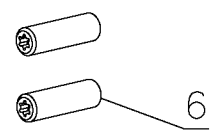
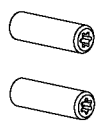


5

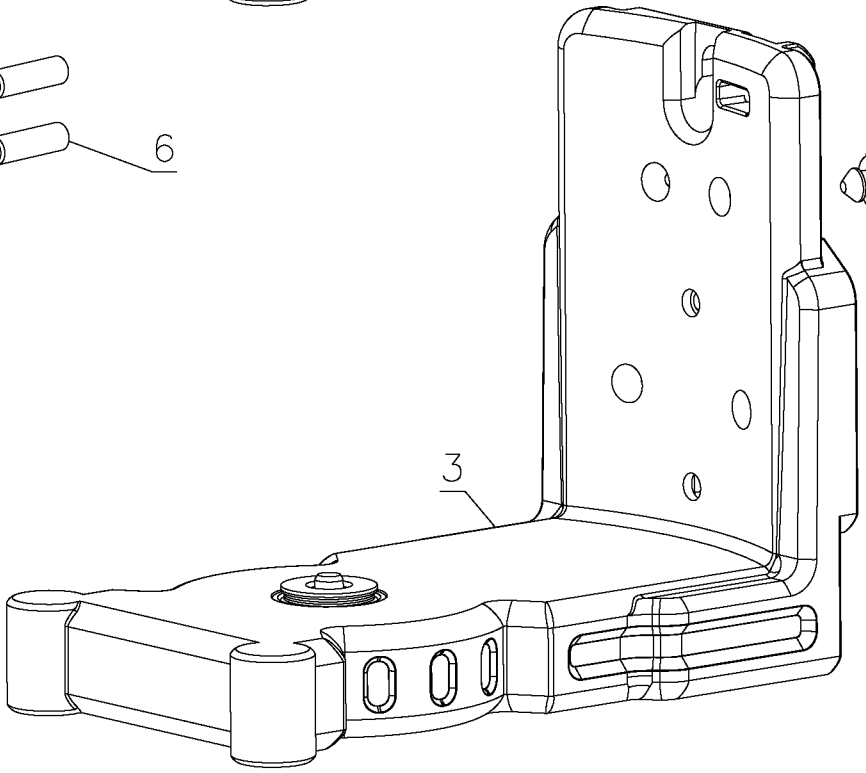


DATE CODE

1



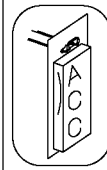
6



3

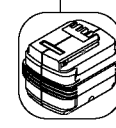


7

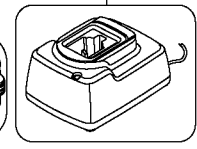


856

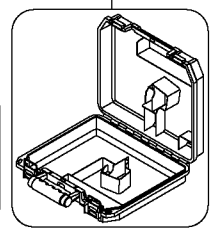
866



871



861



## Parts List for DW0811LG Type 1

Item Number	Part Number	Description	Qty Required
1	N456699	REPLACEMENT UNIT	1
2	N456702	WINDOW	3
3	N456703	BRACKET KIT	1
4	N453836	BATTERY HOLDER	1
5	N425527	WALL MOUNT	1
6	N045662	SET SCREW	4
7	N594696	PLUG	1
856	DW0730G	LASER TARGET CARD	1
856	DW0714G	ENHANCEMENT GLASSES	1
861	N519701	FOAM INSERT	1
861	N475700	KIT BOX	1
866	DCB127	BATTERY	1
871	N264209	CHARGER	1