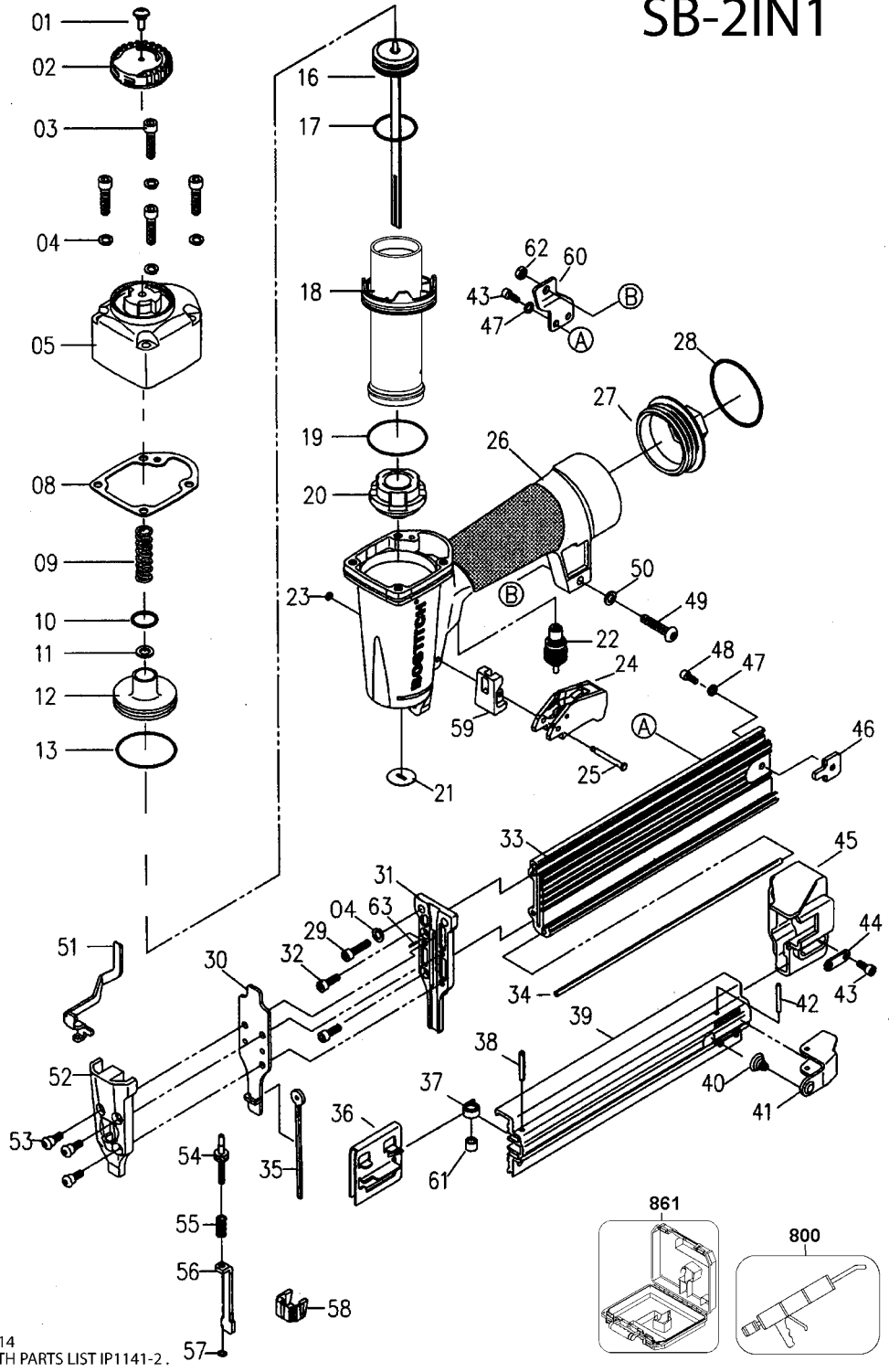


# SB-2IN1



IP1141-1RB 06/14  
TO BE USED WITH PARTS LIST IP1141-2.

## Parts List for SB-2IN1 Type 1

Item Number	Part Number	Description	Qty Required
1	9R206619	SHOULDER SCREW	1
2	P0590000200	EXHAUST COVER	1
3	S0110540100	HEX SOC HD BOLT	4
4	000000-00	No Longer Available	5
5	P0770000240	FRAME CAP	1
8	P0590000400	PACKING	1
9	180447	SPRING	1
10	S06P001500	O-RING	1
11	180449	WASHER FLAT	1
12	180450-S	HEAD VALVE BODY	1
13	180448	O RING	1
16	G0201400-K	DRIVER UNIT	1
17	S06Z000900	O-RING	1
18	188708	CYLINDER	1
19	851483-S	O-RING	1
20	P0590001200	BUMPER	1
21	P0775201562	JOINT GUIDE	1
22	000000-00	No Longer Available	1
23	174073	O-RING	1
24	9R213319	TRIGGER ASSEMBLY	1
25	P0595201662	STEPPED PIN	1
26	9R199568	FRAME	1
27	9R209716	END CAP	1
28	S06Z001900	O-RING	1
29	S2710520100	HEX.SOC.HD.BOLT	2
30	G2000501	DRIVER GUIDE COVER A	1
31	P0640000501	DRIVER GUIDE	1

COPYRIGHT© 2005. All Rights Reserved.

Parts list, pricing, and availability subject to change. Please visit [www.dewaltservicenet.com](http://www.dewaltservicenet.com) for current parts information.

## Parts List for SB-2IN1 Type 1

Item Number	Part Number	Description	Qty Required
32	1A104163	HEX SOC.HD.BOLT	2
33	P0640000663	MAGAZINE A	1
34	P0645200701	NAIL GUIDE	1
35	P0645200462	GUIDE BAR	1
36	000000-00	No Longer Available	1
37	P0640000900	SPRING	1
38	107583	PIN SPRING	1
39	P0640001001	MAGAZINE B	1
40	P0645201162	SPRING	1
41	P0645400432	CLICK LEVER	1
42	P0645201601	CLICK LEVER PIN	1
43	S0110408100	HEX.SOC.HD.BOLT	4
44	P0595203662	END COVER PLATE	1
45	P0640001300	END COVER	1
46	P0645201401	REAR PLATE	1
47	1D104	SPRING WASHER	2
48	S0110406100	HEX.SOC.HD.BOLT	1
49	S1210522100	SCREW	1
50	180569	WASHER-PLAIN-D5X10X1	1
51	P0595207062	SAFETY B	1
52	P0770002400	SAFETY COVER	1
53	P0595202262	SHOULDER SCREW	3
54	JA5161W1	SETTING KNOB	1
55	P0595207162	SPRING	1
56	P0655100101	SAFETY A	1
57	180507	E-RING	1
58	P0800002932	SAFETY PAD	1

COPYRIGHT© 2005. All Rights Reserved.

Parts list, pricing, and availability subject to change. Please visit [www.dewaltservicenet.com](http://www.dewaltservicenet.com) for current parts information.

## Parts List for SB-2IN1 Type 1

Item Number	Part Number	Description	Qty Required
59	P0590007400	SAFETY GUIDE	1
60	P0655100201	TAIL HANGER	1
61	P0645201701	BUSHING	1
62	174065	NUT-NYLON LOCK-M5X0.	1
800	100679	LUBE (1LB.CAN)	1
800	100653	LUBE (2CC)	1
861	B059102005	TOOL CASE-SB TOOLS	1

COPYRIGHT© 2005. All Rights Reserved.

Parts list, pricing, and availability subject to change. Please visit [www.dewaltservicenet.com](http://www.dewaltservicenet.com) for current parts information.