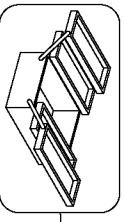
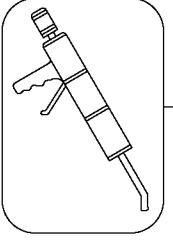


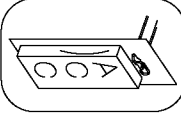
861



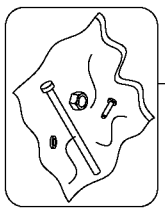
836



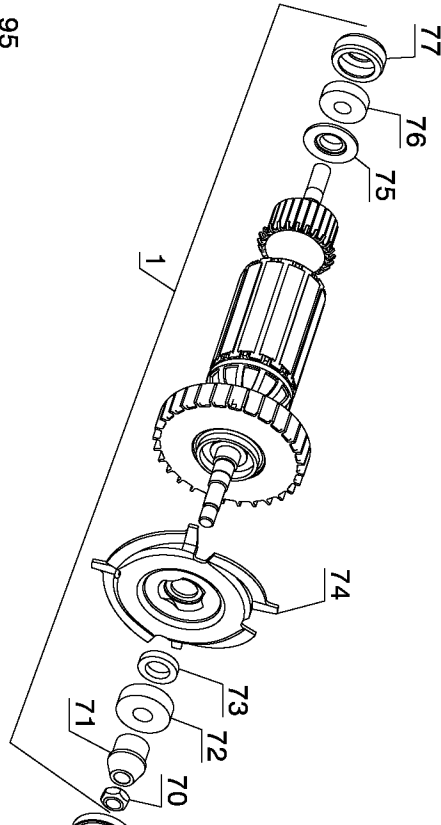
800



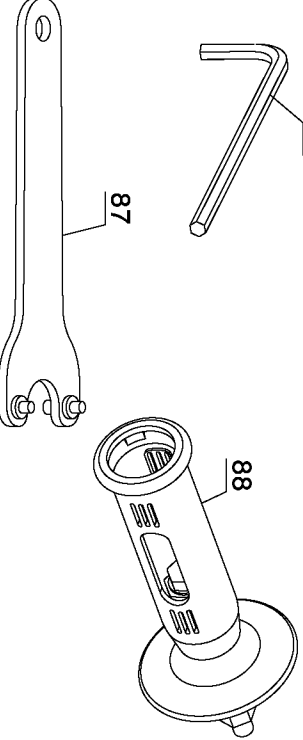
856



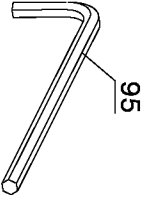
846



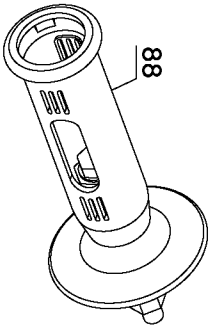
1



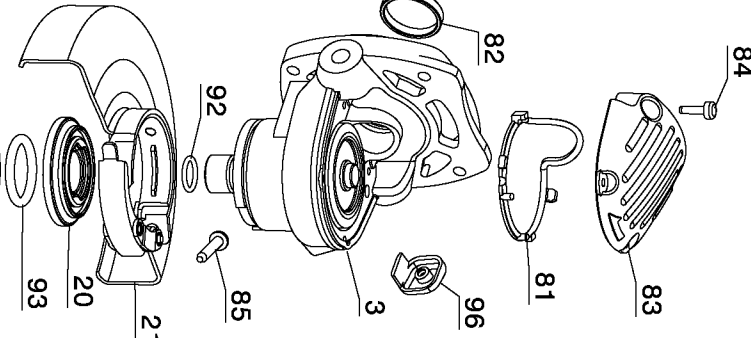
87



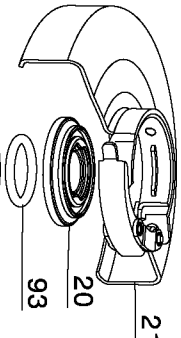
95



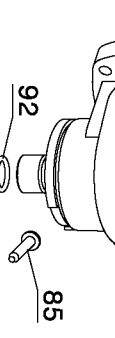
88



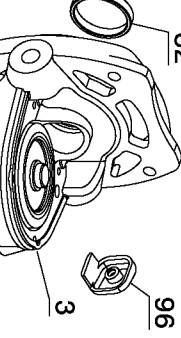
84



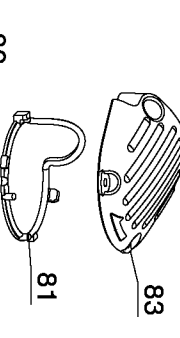
19



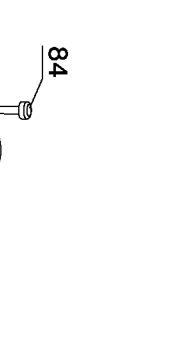
20



21



3



81



83



85



86



92

93

96

98

99

Parts List for D28402-B3 Type 1

Item Number	Part Number	Description	Qty Required
1	623584-12S	ARMATURE ASSY.	1
2	623571-00	FIELD CASE	1
3	N012328SV	GEAR CASE ASSY	1
3	659967-00	GEAR	1
4	330065-31	SCREW	9
5	648743-00	ARM	2
6	623592-00	FELT SEAL	4
8	650916-01	BRUSH	2
9	623589-00	BRUSH SPRING	2
10	623591-00	CAP	2
11	593685-00	SCREW	2
12	623576-00	HANDLE ASSY.	1
13	945614-02	SWITCH	1
14	N055787	SEPARATOR	1
15	623619-00S	PADDLE ASSY.	1
16	626006-00	CORD CLAMP	1
17	330019-03	SCREW	2
18	330005-01	PROTECTOR,CORD	1
19	636226-00	NUT	1
20	633257-00SV	BACKING FLANGE	1
21	397661-01	GUARD	1
22	625415-00	PLUG	1
22	625323-00	LOCK-ON BUTTON	1
23	562210-00	SPRING	1
24	330072-98	CORD/8FT/18-2SJ	1
26	623593-00	TERMINAL	2
28	629107-00	NAMEPLATE	1

Parts List for D28402-B3 Type 1

Item Number	Part Number	Description	Qty Required
29	628885-00	ID LABEL	1
30	626891-00	WARNING LABEL	1
70	604484-00	NUT	1
71	623564-00	PINION	1
72	605040-67	BEARING	1
73	623617-00	FELT SEAL	1
74	623580-00	BRG. RETAINER	1
75	623613-00	SLINGER	1
76	605040-02	BALL BEARING	1
77	641823-00	BEARING CUP	1
78	621220-02	FIELD	1
79	623572-00	FAN BAFFLE	1
80	330065-25	SCREW	4
81	623618-00	GASKET	1
82	611492-00	SLEEVE,RUBBER	1
83	623562-00	GEAR CASE COVER	1
84	385676-01	SCREW	4
85	631609-02	SCREW	1
86	444262-00	TERMINAL	2
87	N079326	WRENCH	1
88	614796-00	SIDE HANDLE	1
92	633044-00	O-RING	1
93	633043-00	O-RING	1
96	623570-00	SPINDLE LOCK BUTTON	1
800	583534-00	GREASE	1
800	429954-01	GREASE,1 LB.	1
800	429954-00	GREASE, 7LBS	1

Parts List for D28402-B3 Type 1

Item Number	Part Number	Description	Qty Required
836	233804-36	TORX DRIVER	1
846	625415-00	PLUG	1
846	5140030-98	SHIM	1
856	DW44540	GRINDING WHEEL	1
856	643772-00	GUARD	1
861	651196-00	KITBOX	1